



Current Transformer

Model IE93R
rev 032916

CERTIFICATIONS:



APPLICATION:

Metering

FREQUENCY:

50/60 Hz.

INSULATION LEVEL:

720 Volts. 10 kV BIL. full wave

APPROXIMATE WEIGHT:

0.60 kg

CONNECTIONS:

Secondary terminals screw clamp up to 10mm² cable. 'Fast on' 6.3mm type. Integral Terminal Cover IP20B

ENCLOSURE CODE:

IP40

INSULATION CLASS:

Class E BS2757 IEC85

COMPLIES WITH / APPROVALS:

IEC60044-1:2003 / BSEN61010-1, EN60044-1

MOUNTING HARDWARE OPTION:

Order p/n: IE93R-FIXING-KIT

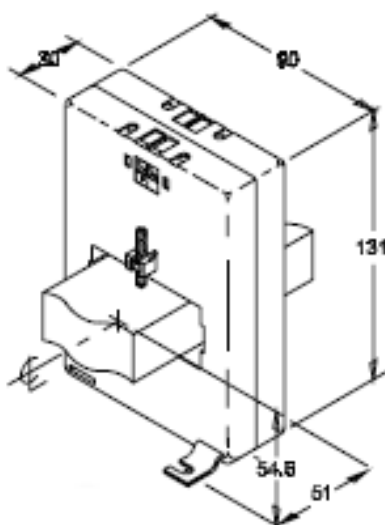
Model	IE93R
Window Size	64 x 12.6mm 60 x 30mm
Width	90mm
Height	131mm
Depth	30mm

MODEL IE93R

CATALOG NUMBER	CURRENT RATIO	VA at Class 3	VA at Class 1	VA at Class 0.5
IE93R-800/5	800:5	10	10	5
IE93R-1000/5	1000:5	15	10	7.5
IE93R-1200/5	1200:5	20	15	10
IE93R-1250/5	1250:5	20	15	10
IE93R-1500/5	1500:5	20	20	15
IE93R-1600/5	1600:5	20	20	15
IE93R-2000/5	2000:5	30	20	20

Note: Change the end suffix to depict required secondary. For example IE93R-800/1.

DIMENSIONS



Products are manufactured in a plant whose quality management system has been certified to be in compliance with ISO 9001:2015 by NQA